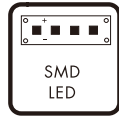


# INSTRUCTION MANUAL



## Radius SL 2 PIR / Radius SL 5 PIR

Please read the instruction carefully before use.

### 1. Main structures and application fields

The enclosure of the LED floodlight is made of high-pure Aluminum alloy and Glass and be intend for outdoors and industrial site.

### 2. Technical data

Required Installation wire: 3G\*1.0mm 2 conductor H05RN-F 300/500V (VDE approvals)

Protection Class level: Class I

IP classification: IP44

Range of mounting heights: 1.8-2.5m

### 3. Attention

- (1) In order to ensure the product works properly, please use the power supply within indicating voltage and current.
- (2) Cut off supply before installation or repair.
- (3) If the external exible cable or cord of this luminaire is damaged, it shall be exclusively replaced by the manufacturer or his service agent or a similar qualied person in order to avoid a hazard.
- (4) Luminaire suitable for surface mounted direct on normally amnable surface.
- (5) Do not use with dimmers.
- (6) If the glass cover is damaged, Replace cracked protective glasses
- (7) The luminaire should be at least 1m distance from projection object
- (8) The light source of this luminaire is not replaceable. When the light source reaches its end of life the whole luminaire shall be replaced.
- (9) In case of radiation interference, PIR sensor may be affected, lights will turn on even without induction.

### 4. Installation instruction

Step 1: Any installation work must be carried out by a qualied electrician;

Step 2: Please cut off AC main supply before installation;

Step 3: Connect cable to the AC mains,blue wire is null line "N",Brown line is power Line "L",Yellow/green line is ground line "PE".

Step 4: Turn on the supply, check whether the luminaries function work well

### 5. Instruction for the sensor ( Detection Angle 120° )

When someone is within the detection angle vicinity, the light will automatically turn on. It will turn off when there is no continuous activity within the detection angle vicinity. You can adjust the detection distance and time according to your requirement.

- 1) SENS: Adjust the detection distance of sensor ( 2-8M ).

# INSTRUCTION MANUAL

## Radius SL 2 PIR / Radius SL 5 PIR

- A. Set it to Max, the longest distance is 8 meters.
- B. Set it to Min, the longest distance is 2 meters.
- 2) TIME: Adjust the detection delay time (10 seconds~10 minutes).
  - A. Set it to MAX, the light will turn off automatically after approximately 10 minutes where there is no continuous movement.
  - B. Set it to Min, the light will turn off automatically after approximately 10 seconds where there is no continuous movement.
- 3) LUX: Sensor illumination (5-2000LUX)
  - A. Set it to MAX, the light will turn on automatically when movement occurs within the detection range during daytime and night time.
  - B. Set it to Min, the light will turn on automatically when movement occurs within the detection range during the night.

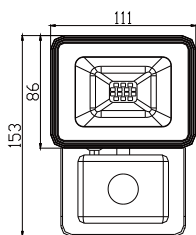
### 6. Environmental protection

#### CAUTION

Electrical products must not be thrown out with domestic waste. They must be taken to a communal collecting point for environmentally friendly disposal in accordance with local regulations. Contact your authorities or stockist for advice on recycling. The packaging material is recyclable. Dispose of the packaging in an environmentally friendly manner and make it.

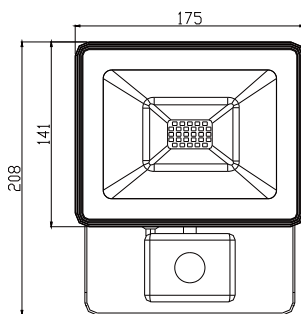
#### Radius SL 2 10W PIR

Overall size:



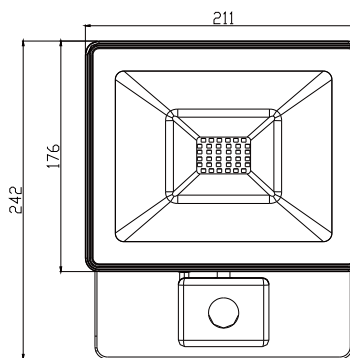
#### Radius SL 2 20W PIR

Overall size:



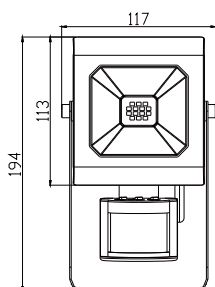
#### Radius SL 2 30W PIR

Overall size:



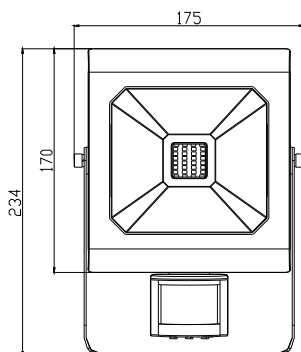
#### Radius SL 5 10W PIR

Overall size:



#### Radius SL 5 30W PIR

Overall size:



#### Radius SL 5 50W PIR

Overall size:

