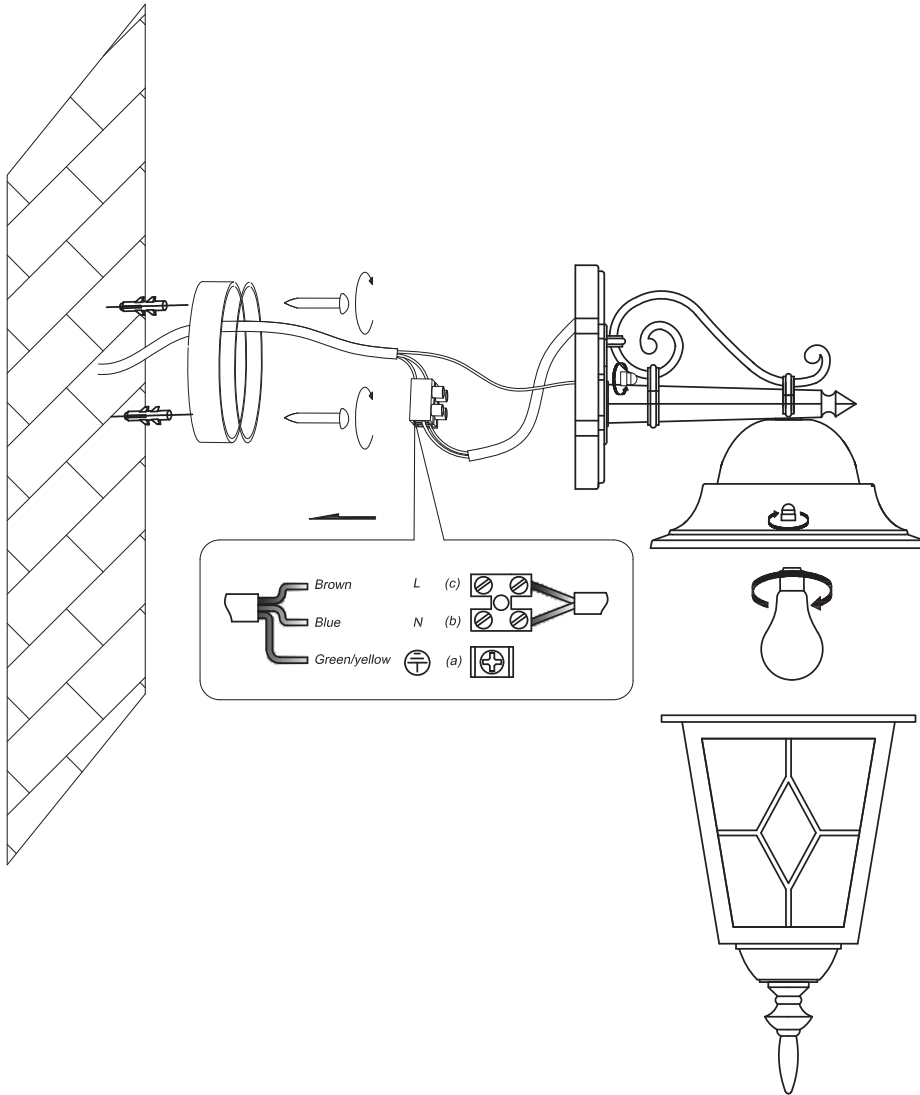


INSTRUCTION MANUAL



Antigua WL Antic
93623



Overall Size:

25.5CM

